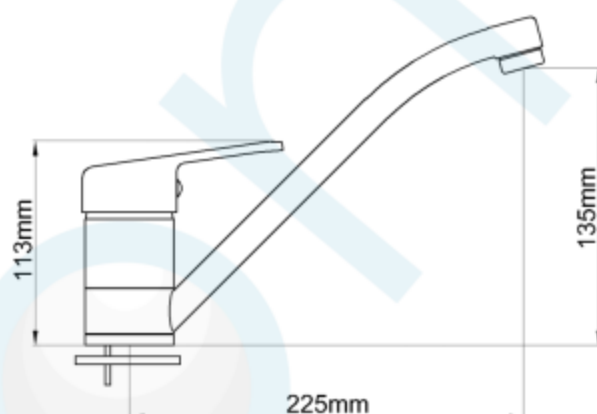


OLLIE SINK MIXER CHROME WELS 4 STAR

CODE: 50600

Brand Name: **elson**



Product Specification & Features

- Maximum Working Temperature: 80°C
- Maximum Working Pressure: 1300 KPa
- Threads: Complies with AS 1722.2
- Material: DR Brass, Complies with AS 2345
- Suitable for Potable Water, Complies with AS/NZS 4020
- WELS Reg. Number: TM33621, WELS Rating: 4 STAR 7.5 L/Min



Standards & Approvals



Elson Australasia Pty Ltd

Tel: 02 9625 7899 Fax: 02 9625 7855

Website: www.elson.net.au E-mail: sales@elson.net.au

Version 1.0

Dec. 2020