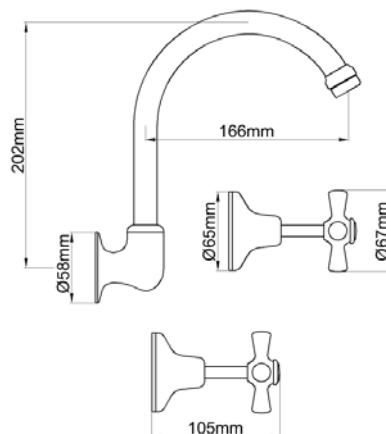


## PRODUCT DATA SHEET

### IONA WALL SPA/SINK SET



| CODE  | DESCRIPTION                                   | COLOUR | TRIM | WELS Reg. Number |
|-------|---|--------|------|------------------|
| 51655 | IONA WALL SPA/SINK SET CP&GP TRIM WELS 4 STAR | CHROME | GOLD | TM33683          |
| 51665 | IONA WALL SPA/SINK SET CP WELS 4 STAR         | CHROME |      | TM33683          |

### Features & Approval

- Maximum Working Temperature: 80°C
- Maximum Working Pressure: 1300 KPa
- Threads: Complies with AS 1722.2
- Material: DR Brass, Complies with AS 2345
- Suitable for Potable Water, Complies with AS/NZS 4020
- WELS Rating: 4 STAR 7.5 L/Min
- Double O-ring Seal



Standards & Approvals



Elson Australasia Pty Ltd ABN 45 059 613 991  
PO Box 3217, Mt.Druitt Village, NSW 2770  
38 Eddie Road, Minchinbury, NSW 2770 | 92 Fox Drive, Dandenong South, VIC 3175  
Call 1300 169 026 | Email sales@elson.au

