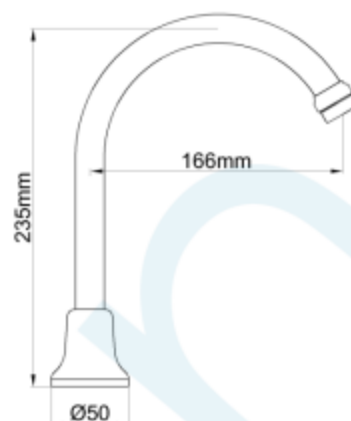


IONA HOB SPA/SINK SPOUT

Brand Name: **elson**



CODE	DESCRIPTION	COLOUR	TRIM	WELS Reg. Number
51815	IONA HOB SPA/SINK SPOUT WHITE & CHROME WELS 4 ST	WHITE	CHROME	TM33375
51825	IONA HOB SPA/SINK SPOUT WHITE & GOLD WELS 4 STAR	WHITE	GOLD	TM33376
51835	IONA HOB SPA/SINK SPOUT A/IVORY & CHROME WELS 4 S	A/IVORY	CHROME	TM33371
51845	IONA HOB SPA/SINK SPOUT A/IVORY & GOLD WELS 4 STAI	A/IVORY	GOLD	TM33372
51855	IONA HOB SPA/SINK SPOUT CHROME & GOLD WELS 4 STA	CHROME	GOLD	TM33374
51865	IONA HOB SPA/SINK SPOUT CHROME WELS 4 STAR	CHROME		TM33373

Product Specification & Features

- Maximum Working Temperature: 80 °C
- Maximum Working Pressure: 1300 KPa
- Threads: Complies with AS 1722.2
- Material: DR Brass, Complies with AS 2345
- Suitable for Potable Water, Complies with AS/NZS 4020
- WELS Rating: 4 STAR 7.5 L/Min



Standards & Approvals



Elson Australasia Pty Ltd

Tel: 02 9625 7899 Fax: 02 9625 7855

Website: www.elson.net.au E-mail: sales@elson.net.au

Version 1.0

Dec. 2020