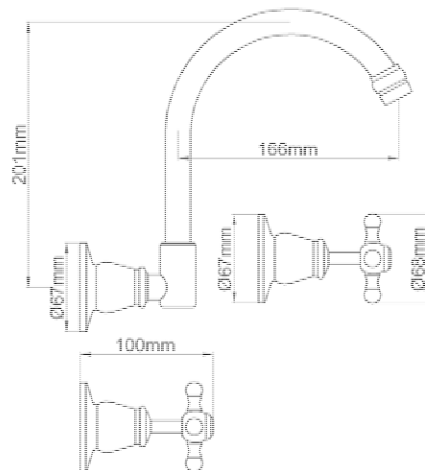


PRODUCT DATA SHEET

KINGSMAN WALL SPA/SINK SET



CODE	DESCRIPTION	COLOUR	TRIM	WELS Reg. Number
56075	KINGSMAN WALL SPA/SINK SET CHROME & GOLD WELS 4 STAR	CHROME	GOLD	TM33637
56076	KINGSMAN WALL SPA/SINK SET CHROME WELS 4 STAR	CHROME		TM33637

Features & Approval

- Maximum Working Temperature: 80°C
- Maximum Working Pressure: 1300 KPa
- Threads: Complies with AS 1722.2
- Material: DR Brass, Complies with AS 2345
- Suitable for Potable Water, Complies with AS/NZS 4020
- WELS Rating: 4 STAR 7.5 L/Min
- Double O-ring Seal



Standards & Approvals



WaterMark
WMKA02498
Standard AS/NZS 3718
SAI GLOBAL



Elson Australasia Pty Ltd ABN 45 059 613 991
PO Box 3217, Mt.Druitt Village, NSW 2770
38 Eddie Road, Minchinbury, NSW 2770 | 92 Fox Drive, Dandenong South, VIC 3175
Call 1300 169 026 | Email sales@elson.au

