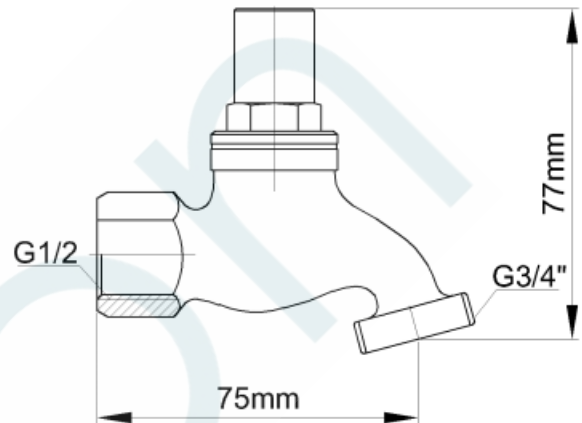


# PRODUCT DATA SHEET

ANTI-VANDAL HOSE COCK LESS KEY 1/2" CP F.I.



Product Code:60522

## Features & Approval

- Maximum Working Temperature: 80°C
- Maximum Working Pressure: 1300 KPa
- Threads: Complies with AS ISO 7.1, AS ISO 7.2 and AS 1722.2
- Material: DR Brass, Complies with AS 2345
- Suitable for Potable Water, Complies with AS/NZS 4020
- Flow Rate at pressure 250Kpa: 48.65L/Min
- Double O-ring Seal

Standards & Approvals



Elson Australasia Pty Ltd ABN 45 059 613 991  
 38 Eddie Road, Minchinbury, NSW 2770 PO Box 3217, Mt.Druitt Village, NSW 2770  
 T. (02) 9625 7899 | E. sales@elson.net.au

