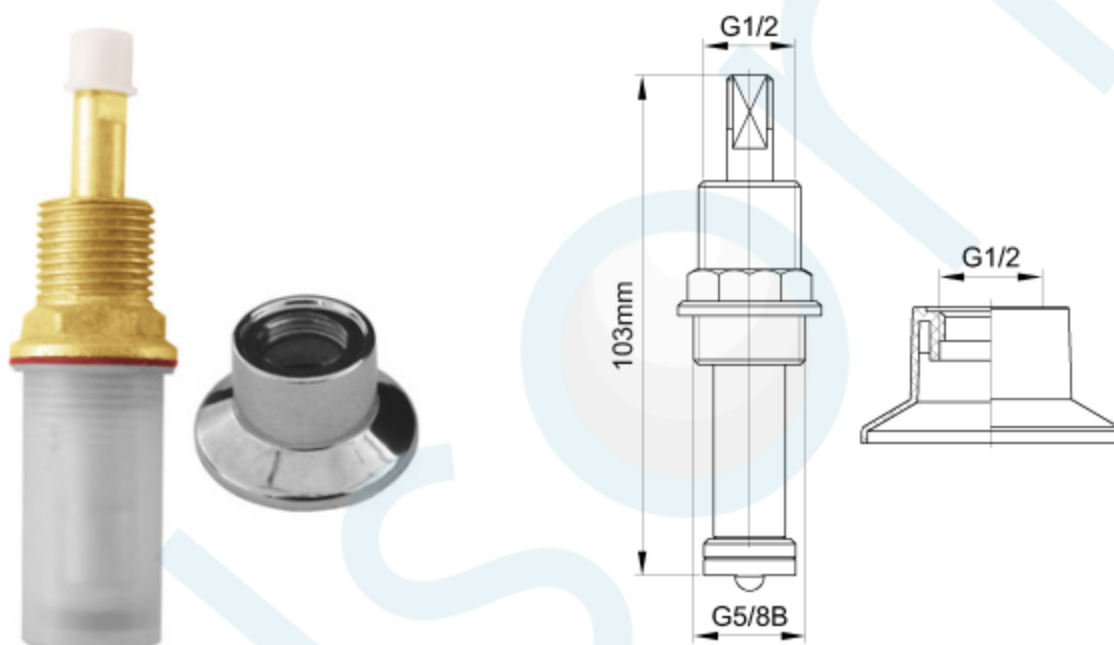


U/S BASIN/SINK TOP ASS DEEP SEAT CP

CODE: 60890

Brand Name: **elson**



### Product Specification & Features

- Maximum Working Temperature: 80°C
- Maximum Working Pressure: 1300 KPa
- Threads: Complies with AS 1722.2
- Material: DR Brass, Complies with AS 2345
- Suitable for Potable Water, Complies with AS/NZS 4020
- Double O-ring Seal

Standards & Approvals



**WaterMark**  
WMKA02498  
Standard AS/NZS 3718  
SAI GLOBAL

Elson Australasia Pty Ltd

Tel: 02 9625 7899 Fax: 02 9625 7855

Website: [www.elson.net.au](http://www.elson.net.au) E-mail: [sales@elson.net.au](mailto:sales@elson.net.au)

Version 1.0

Dec. 2020