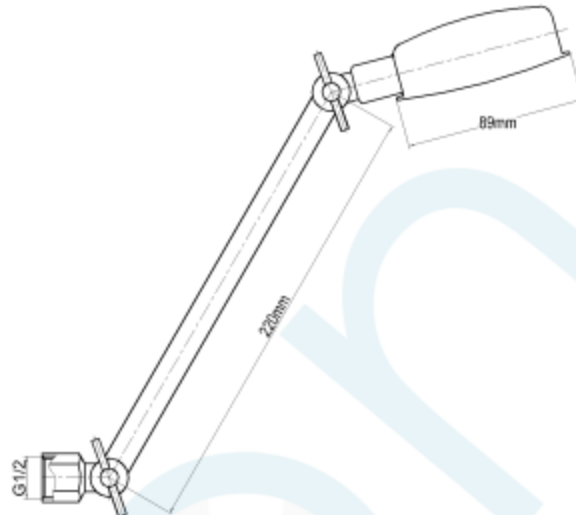


ALL DIR SHOWER WELS 3 STAR

Brand Name: elson



CODE	DESCRIPTION	MAIN COLOR	OTHER COLOR
60424	ALL DIR SHOWER CP WELS 3 STAR	CHROME	
60990	ALL DIRECTIONAL SHOWER A/IVORY & CHROME TRIM W/DISC WELS 3 STAR	A/IVORY	CHROME
60992	ALL DIRECTIONAL SHOWER WHITE & CHROME TRIM W/DISC WELS 3 STAR	WHITE	CHROME
60993	ALL DIRECTIONAL SHOWER CHROME & GOLD TRIM W/DISC WELS 3 STAR	CHROME	GOLD
60994	ALL DIRECTIONAL SHOWER A/IVORY & GOLD TRIM W/DISC WELS 3 STAR	A/IVORY	GOLD
60996	ALL DIRECTIONAL SHOWER WHITE & GOLD TRIM W/DISC WELS 3 STAR	WHITE	GOLD

**Product Specification & Features**

- Maximum Working Temperature: 80 °C
- Maximum Working Pressure: 800 KPa
- Threads: Complies with AS 1722.2
- Material: Brass
- Suitable for Potable Water, Complies with AS/NZS 4020
- WELS Rating: 3 STAR 9 L/Min
- The outlet direction can be adjusted

Standards & Approvals



Elson Australasia Pty Ltd

Tel: 02 9625 7899 Fax: 02 9625 7855

Website: www.elson.net.au E-mail: sales@elson.net.au

Version 2.0

Dec. 2020