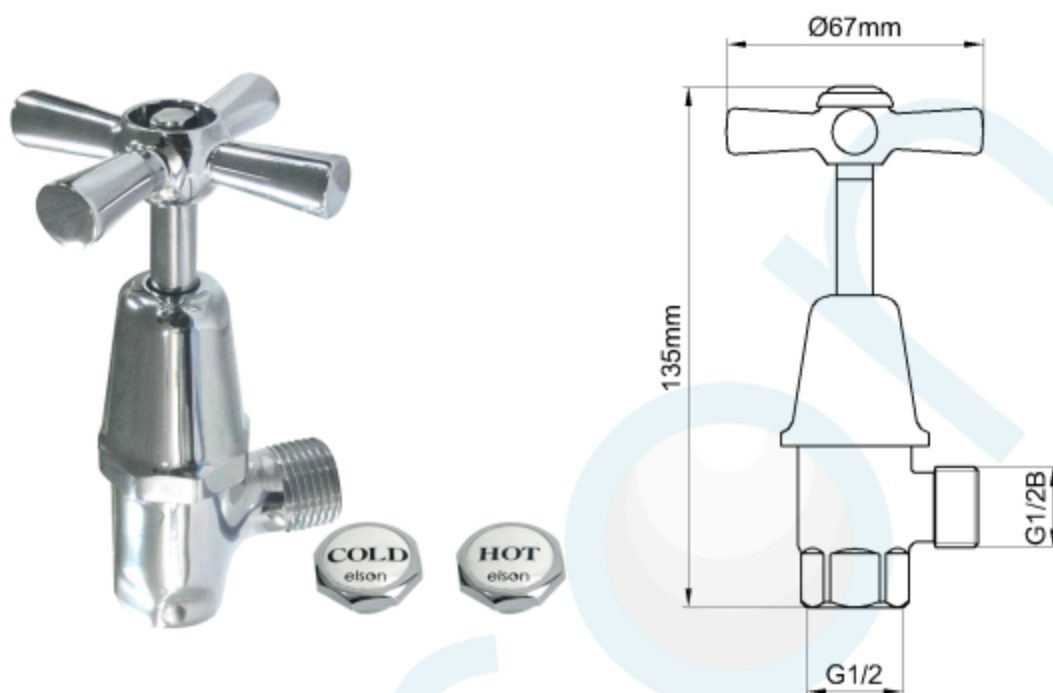


**ANTI-VANDAL E/C CISTERN COCK WITH HOT&COLD BTNS C/P**

CODE:64735

Brand Name: **elson**



**Product Specification & Features**

- Maximum Working Temperature: 80°C
- Maximum Working Pressure: 1300 KPa
- Threads: Complies with AS 1722.2
- Material: DR Brass, Complies with AS 2345
- Suitable for Potable Water, Complies with AS/NZS 4020
- Flow Rate at pressure 250Kpa: 58.31L/Min
- Double O-ring Seal

Standards & Approvals



Elson Australasia Pty Ltd

Tel: 02 9625 7899 Fax: 02 9625 7855

Website:www.elson.net.au E-mail:sales@elson.net.au

Version 1.0

Dec. 2020