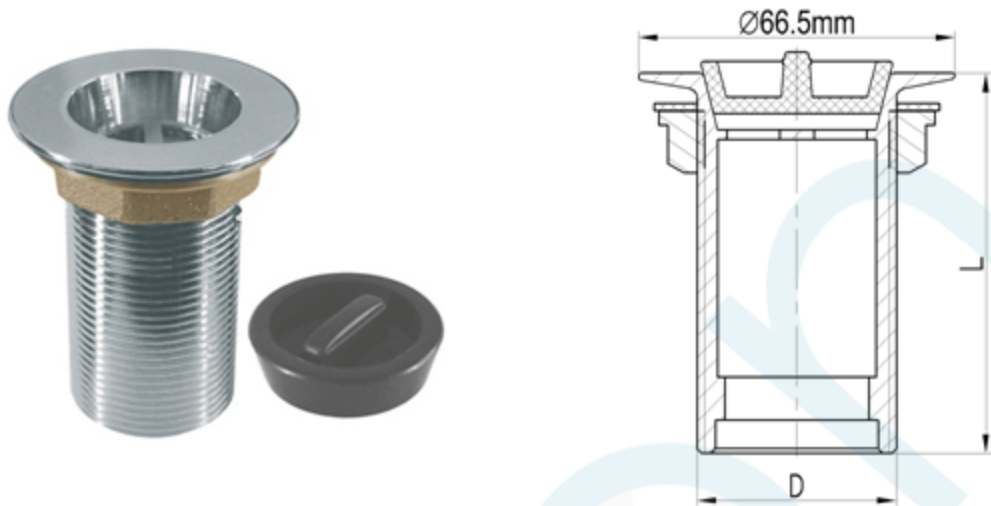


elson PLUG & WASTE



| CODE  | DESCRIPTION                                      | D       | L(mm) |
|-------|--|---------|-------|
| 71082 | Plug & Waste w/ Rubber Plug 32mm x 80mm Brass CP | G1 1/4B | 80    |
| 71092 | Plug & Waste w/ Rubber Plug 40mm x 50mm Brass CP | G1 1/2B | 50    |
| 71102 | PLUG&WASTE 40x70mm BRS CP W/RUB PLG              | G1 1/2B | 70    |
| 71112 | Plug & Waste w/ Rubber Plug 40mm x 80mm Brass CP | G1 1/2B | 80    |

**Product Specification & Features**

- Maximum Working Temperature 80°C
- Brass Material
- End connectors comply with AS 3688
- Suitable for China Basin, Glass Basin, Vanity Basin etc.
- Comply with WMTS 040. Watermark Certificate Number WMKT20049



Elson Australasia Pty Ltd

Tel: 02 9625 7899 Fax: 02 9625 7855

Website: www.elson.net.au E-mail: sales@elson.net.au

Version 1.0

Dec. 2020