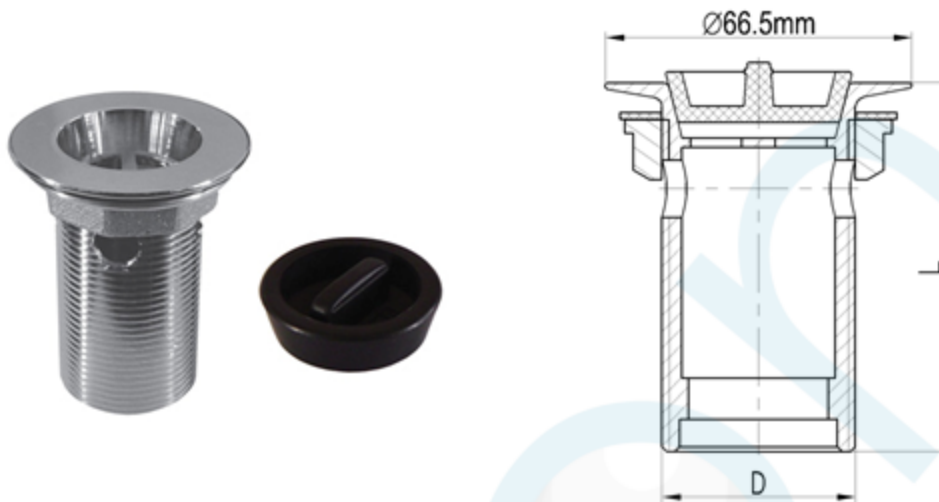


elson OVER FLOW PLUG&WASTE W/RUBBER PLUG



CODE	DESCRIPTION	D	L(mm)
71083	Over Flow Plug & Waste w/ Rubber Plug 32mm x 80mm Brass CP	G1 1/4B	80
71103	Over Flow Plug & Waste w/ Rubber Plug 40mm x 70mm Brass CP	G1 1/2B	70
71113	Over Flow Plug & Waste w/ Rubber Plug 40mm x 80mm Brass CP	G1 1/2B	80

Product Specification & Features

- Maximum Working Temperature 80°C
- Brass Material
- End connectors comply with AS 3688
- Suitable for China Basin, Glass Basin, Vanity Basin etc.
- Comply with WMTS 040. Watermark Certificate Number WMKT20049

Standards & Approvals



WaterMark

WMKT20049
Standard WMTS-040

SAI GLOBAL

Elson Australasia Pty Ltd

Tel: 02 9625 7899 Fax: 02 9625 7855

Website: www.elson.net.au E-mail: sales@elson.net.au

Version 1.0

Dec. 2020