

elson BALL VALVE 722 SERIES DR BRS RECYCLED WATER

PRODUCT CODE : 72291 72292 72293 72294 72295 72296

**Specification**

- Maximum Working Temperature: -20-100°C
- WATER Maximum Allowable Operating Pressure (MAOP) : 2500Kpa
- Threads complies with AS ISO 7.1, AS ISO 7.2 and AS 1722.2
- Size range: 16-50mm

Features

- Watermark Certificate Number: WMKA21922 in compliance with AS5830.1
- Suitable for potable water complies with AS/NZS 4020
- Dezincification Resistance Brass complies with AS 2345
- Full bore ball valve
- Heavy duty construction
- Pressure tested for the whole assembly

Installation Instructions

1. Installation may be either vertical or horizontal with the direction of the flow matching the position of the lever handle in the open / on position.
2. The installation must comply within the safe working pressure and temperature requirements. See maximum allowable operating pressure (MAOP) listed above.
3. Once installed the valve must be either in the full "ON" or full "OFF" position.
4. Always check for leaks when installed under pressure in both the full "ON" and full "OFF" position.

**Elson Australasia Pty Ltd**

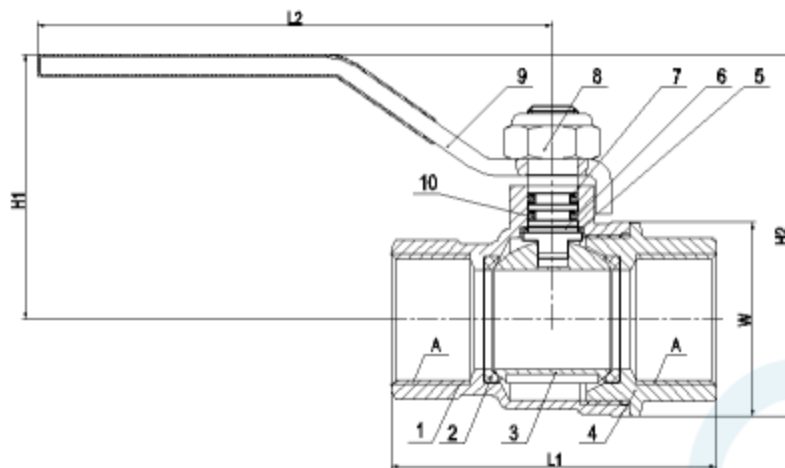
Tel: 02 9625 7899 Fax: 02 9625 7855

Website: www.elson.net.au E-mail: sales@elson.net.au

Version 1.0

Nov. 2020

Product Schematic:



DIMENSIONS - mm

CODE	SIZE	A	L1	L2	W	H1	H2
72291	16mm	Rp1/2	58	90	∅31.5	46.5	62
72292	20mm	Rp3/4	69	100	∅39	53.5	70
72293	25mm	Rp1	81.6	100	∅47.4	57.5	81
72294	32mm	Rp1 1/4	97.6	135	∅58.2	65.6	94.7
72295	40mm	Rp1 1/2	105.8	135	∅71.2	72	107
72296	50mm	Rp2	126.8	165	∅86.5	90	133

BILL OF MATERIALS

No.	PART NAME	MATERIALS
1	VALVE BODY	DR BRASS
2	SEAL	PTFE
3	BALL	LEAD FREE DR BRASS / 316L ^①
4	END ADAPTER	DR BRASS
5	WASHER	PTFE
6	STEM	DR BRASS
7	O-RING	HNBR
8	NUT	STAINLESS STEEL
9	HANDLE	ZINC PLATED STEEL
10	LOWER O-RING	EPDM

① SIZE 16-20MM BALL VALVE USE LEAD FREE DR BRESS BALL
SIZE 25-50MM BALL VALVE USE 316L STAINLESS STEEL



Elson Australasia Pty Ltd

Tel: 02 9625 7899 Fax: 02 9625 7855

Website: www.elson.net.au E-mail: sales@elson.net.au

Version 1.0

Nov. 2020