

**elson PRESS TO BUSHPEX PULL-ON PEX BALL VALVE LF DR BRASS L/H****PRODUCT CODE 72390 72392 72394****Specification**

- Maximum Working Temperature: -20-80°C
- GAS Maximum Allowable Operating Pressure (MAOP) :1600Kpa
- Size Range: DN16 72390, DN20 72392; DN25 72394

**Features**

- LEAD FREE DR BRASS
- Watermark Certificate Number: WMKA 21922 in compliance with AS 5830.1
- Suitable for Potable Water complies with AS/NZS 4020
- Dezincification Resistance Brass complies with AS 2345
- Pressure Tested

**Installation Instructions**

1. Installation may be either vertical or horizontal with the direction of the flow matching the position of the lever handle in the open / on position.
2. The installation must comply within the safe working pressure and temperature requirements. See maximum allowable operating pressure (MAOP) listed above.
3. Once installed the valve must be either in the full "ON" or full "OFF" position.
4. Always check for leaks when installed under pressure in both the full "ON" and full "OFF" position.

**Elson Australasia Pty Ltd**

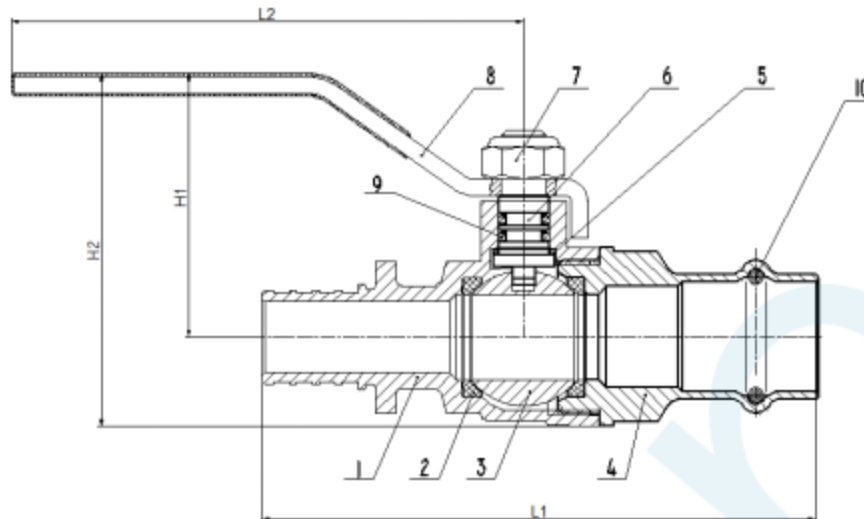
Tel: 02 9625 7899 Fax: 02 9625 7855

Website:www.elson.net.au E-mail:sales@elson.net.au

Version 1.0

Nov. 2020

**Product Schematic**



**DIMENSIONS - mm**

CODE	SIZE	L1	L2	W	H1	H2
72380	DN16	87	90	ø31.5	46.5	62.2
72382	DN20	100	90	ø31.5	46.5	62.2
72384	DN25	115	103.5	ø39	53.3	72.8

MATERIALS		
No.	PART NAME	MATERIALS
1	VALVE BODY	LEAD FREE DR BRASS
2	SEAL	PTFE
3	BALL	LEAD FREE DR BRASS
4	END ADAPTER	LEAD FREE DR BRASS
5	WASHER	PTFE
6	SPINDLE	LEAD FREE DR BRASS
7	NUT	STAINLESS STEEL
8	HANDLE	STAINLESS STEEL
9	O-RING	EPDM
10	O-RING	EPDM



**Elson Australasia Pty Ltd**

Tel: 02 9625 7899 Fax: 02 9625 7855

Website: www.elson.net.au E-mail: sales@elson.net.au

Version 1.0

Nov. 2020