

elson PRESS GAS TO BUSHPEX CRIMP GAS BALL VALVE LF DR BRASS L/H

PRODUCT CODE 72990 72992 72994



Specification

- Maximum Working Temperature: -20-80°C
- GAS Maximum Allowable Operating Pressure (MAOP) :500Kpa
- Size Range: DN16 72990, DN20 72992; DN25 72994

Features

- LEAD FREE DR BRASS
- AGA License Number: 8350 in compliance with AS 4617
- Suitable for Potable Water complies with AS/NZS 4020
- Dezincification Resistance Brass complies with AS 2345
- Pressure Tested

Installation Instructions

1. Installation may be either vertical or horizontal with the direction of the flow matching the position of the lever handle in the open / on position.
2. The installation must comply within the safe working pressure and temperature requirements. See maximum allowable operating pressure (MAOP) listed above.
3. Once installed the valve must be either in the full "ON" or full "OFF" position.
4. Always check for leaks when installed under pressure in both the full "ON" and full "OFF" position.



Elson Australasia Pty Ltd

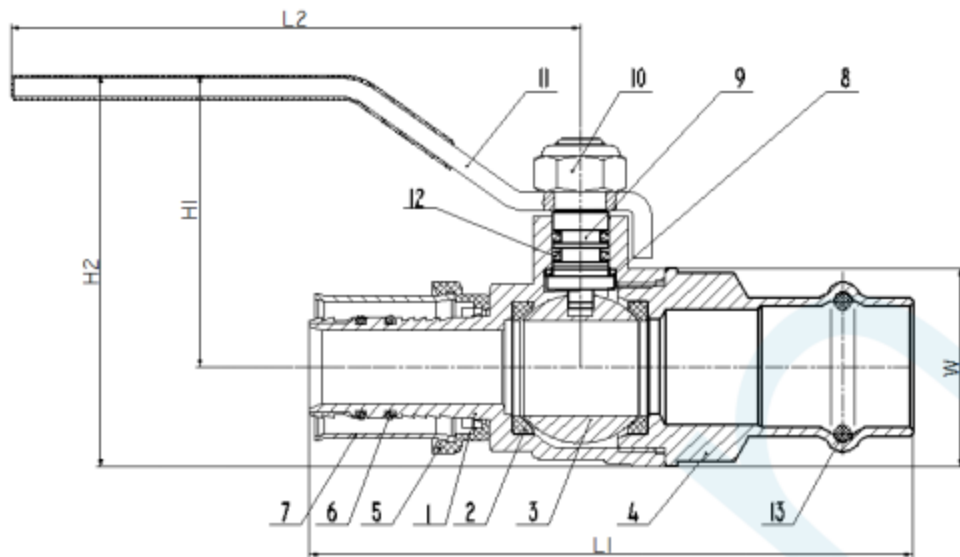
Tel: 02 9625 7899 Fax: 02 9625 7855

Website:www.elson.net.au E-mail:sales@elson.net.au

Version 1.0

Nov. 2020

Product Schematic



DIMENSIONS - mm

CODE	SIZE	L1	L2	W	H1	H2
72990	DN16	89	90	ø31.3	46.5	62.2
72992	DN20	95	90	ø31.3	46.5	62.2
72994	DN25	95	90	ø31.3	46.5	62.2

MATERIALS		
No.	PART NAME	MATERIALS
1	VALVE BODY	LEAD FREE DR BRASS
2	SEAL	PTFE
3	BALL	LEAD FREE DR BRASS
4	END ADAPTER	LEAD FREE DR BRASS
5	WASHER	PE
6	O-RING	HNBR
7	SLEEVE	STAINLESS STEEL
8	WASHER	PTFE
9	SPINDLE	LEAD FREE DR BRASS
10	NUT	STAINLESS STEEL
11	HANDLE	STAINLESS STEEL
12	O-RING	HNBR
13	O-RING	HNBR



Elson Australasia Pty Ltd

Tel: 02 9625 7899 Fax: 02 9625 7855

Website: www.elson.net.au E-mail: sales@elson.net.au

Version 1.0

Nov. 2020