

DUAL CHECK VALVE LF DR BRASS Rp3/4 73010



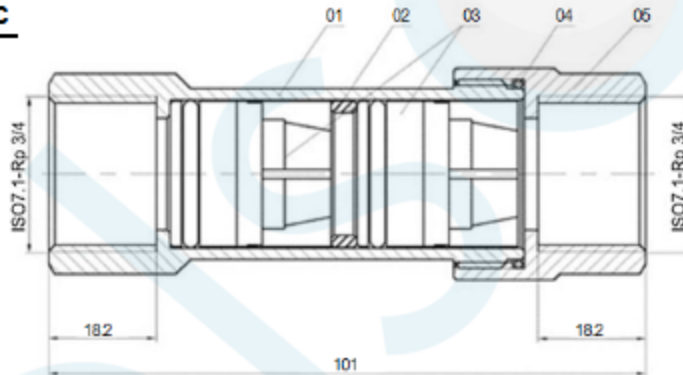
Specification

- Maximum Working Temperature: 60 °C
- WATER Maximum Allowable Operating Pressure (MAOP): 1600Kpa
- Size Range: DN20

Features

- LEAD FREE DR BRASS
- Watermark Certificate Number: WMKA21655
- Suitable for Potable Water complies with AS/NZS 4020
- Dezincification Resistance Brass complies with AS 2345

Product Schematic



NO	CODE	QTY.	DESCRIPTON	MATERIAL	REMARK
1	73010.1	1	BODY	LF DR BRASS	
2	73010.3	1	WASHER	LF DR BRASS	
3	73010.5	2	CHECK VALVE	SUBASSEMBLY	NEOPERL 31.4325.000000
4	73010.4	1	O-RING	EPDM	
5	73010.2	1	NUT	LF DR BRASS	



Elson Australasia Pty Ltd

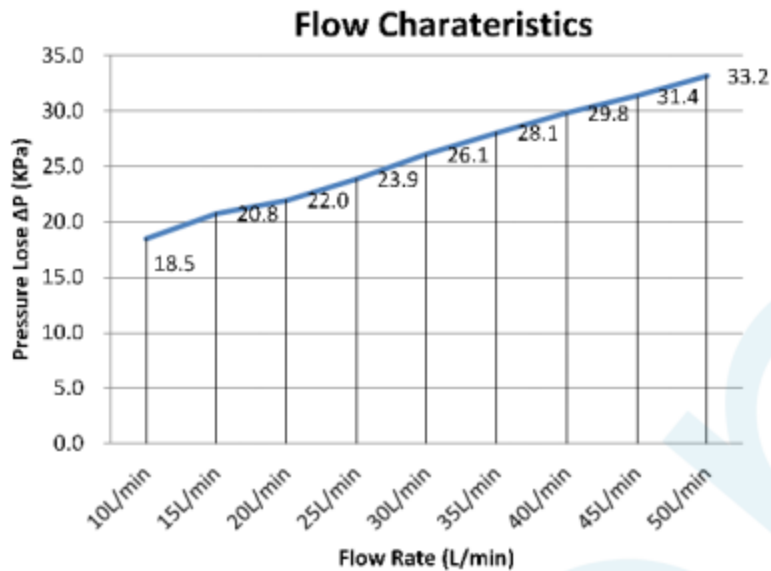
Tel: 02 9625 7899 Fax: 02 9625 7855

Website: www.elson.net.au E-mail: sales@elson.net.au

Version 1.0

Nov. 2020

PRESSURE COMPARISON



Installation Instructions

- Suitable for installations requiring (refer to AS/NZS3500.1 and the regulatory authority).
- Protection against back-pressure / back siphonage.
- Low level Cross-connection hazard rating.
- This product must be installed by a licensed and accredited Plumber in accordance with AS/NZS 3500.1, the manufacturer's instructions and the relevant regulatory authority's requirements.
- The valve must be positioned and installed to allow complete and easy access for removal, maintenance and/or replacement.
- This valve must not be installed in a location that is subject to freezing without adequate protection.
- This valve must not be installed in a corrosive or polluted environment.
- This valve must not be installed where water temperatures exceed 60°C.



Elson Australasia Pty Ltd

Tel: 02 9625 7899 Fax: 02 9625 7855

Website: www.elson.net.au E-mail: sales@elson.net.au

Version 1.0

Nov. 2020