

elson BALL VALVE 733 SERIES DUAL APPROVED DR BRASS**PRODUCT CODE 73320 73325****Specification**

- Maximum Working Temperature: -20-100°C
- WATER Maximum Allowable Operating Pressure (MAOP) : 2500Kpa
- GAS Maximum Allowable Operating Pressure (MAOP) : 1050Kpa
- Threads complies with AS ISO 7.1, AS ISO 7.2 and AS 1722.2
- Size range: 16mm(73320) / 20mm(73325)

Features

- Watermark Certificate Number: WMKA21922 in compliance with AS5830.1
- AGA Certificate Number: 8350 in compliance with AS4617
- Suitable for potable water complies with AS/NZS 4020
- Dezincification Resistance Brass complies with AS 2345
- Full bore ball valve
- Heavy duty construction
- Pressure tested for the whole assembly

Installation Instructions

1. Installation may be either vertical or horizontal with the direction of the flow matching the position of the lever handle in the open / on position.
2. The installation must comply within the safe working pressure and temperature requirements. See maximum allowable operating pressure (MAOP) listed above.
3. Once installed the valve must be either in the full "ON" or full "OFF" position.
4. Always check for leaks when installed under pressure in both the full "ON" and full "OFF" position.

**Elson Australasia Pty Ltd**

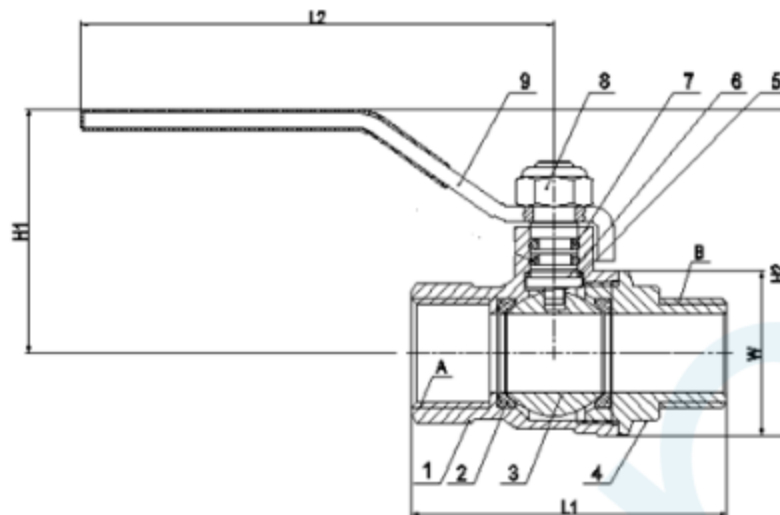
Tel: 02 9625 7899 Fax: 02 9625 7855

Website: www.elson.net.au E-mail: sales@elson.net.au

Version 1.0

Nov. 2020

Product Schematic



DIMENSIONS - mm

CODE	SIZE	A	B	L1	L2	W	H1	H2
73320	16mm	Rp1/2	R1/2	58	90	∅31.5	46.5	62
73325	20mm	Rp3/4	R3/4	69	100	∅39	53.5	70

BILL OF MATERIALS		
No.	PART NAME	MATERIALS
1	VALVE BODY	DR BRASS
2	SEAL	PTFE
3	BALL	LEAD FREE DR BRASS
4	END ADAPTER	DR BRASS
5	WASHER	PTFE
6	STEM	DR BRASS
7	O-RING	HNBR
8	NUT	STAINLESS STEEL
9	HANDLE	ZINC PLATED STEEL



Elson Australasia Pty Ltd

Tel: 02 9625 7899 Fax: 02 9625 7855

Website: www.elson.net.au E-mail: sales@elson.net.au

Version 1.0

Nov. 2020