

elson PRESS GAS BALL VALVE LF DR BRS L/HNDL**PRODUCT CODE 73560 73562****Specifications**

- Maximum Working Temperature: -20-100°C
- GAS Maximum Allowable Operating Pressure (MAOP) :500Kpa
- Size Range: DN15 73560 DN20 73562

Features

- LEAD FREE DR BRASS
- AGA License Number: 8350 in compliance with AS 4617
- Suitable for Potable Water complies with AS/NZS 4020
- Dezincification Resistance Brass complies with AS 2345
- Pressure Tested
- Full Bore Ball Valve

Installation Instructions

1. Installation may be either vertical or horizontal with the direction of the flow matching the position of the lever handle in the open / on position.
2. The installation must comply within the safe working pressure and temperature requirements. See maximum allowable operating pressure (MAOP) listed above.
3. Once installed the valve must be either in the full "ON" or full "OFF" position.
4. Always check for leaks when installed under pressure in both the full "ON" and full "OFF" position.

**Elson Australasia Pty Ltd**

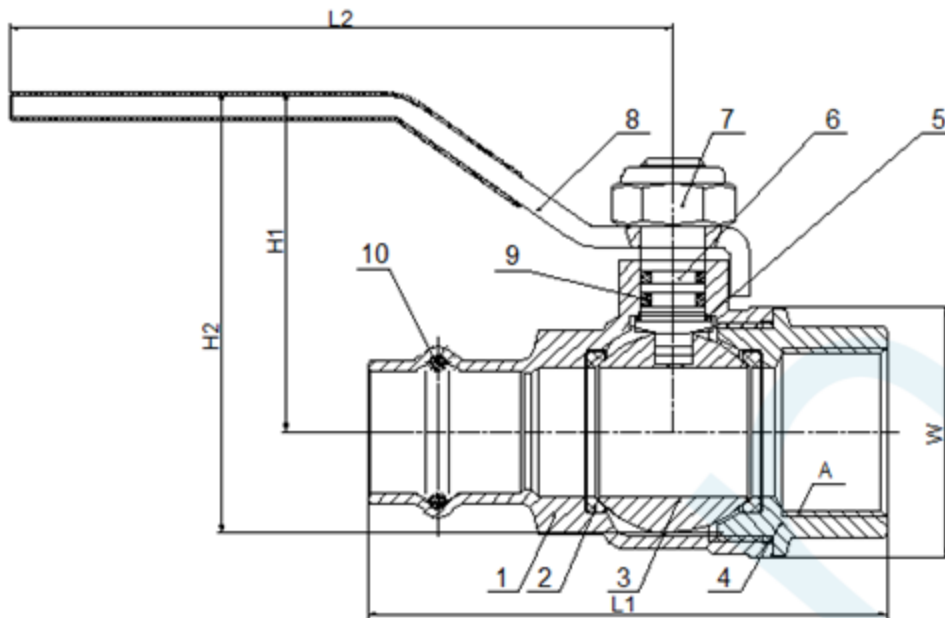
Tel: 02 9625 7899 Fax: 02 9625 7855

Website: www.elson.net.au E-mail: sales@elson.net.au

Version 1.0

Nov. 2020

Product Schematic



DIMENSIONS - mm

CODE	SIZE	A	L1	L2	W	H1	H2
73560	DN15	Rp1/2	82.1	90	ø31.5	46.5	62
73562	DN20	Rp3/4	101	100	ø39	53.5	70

MATERIALS		
No.	PART NAME	MATERIALS
1	VALVE BODY	LEAD FREE DR BRASS
2	SEAL	PTFE
3	BALL	LEAD FREE DR BRASS
4	END ADAPTER	LEAD FREE DR BRASS
5	WASHER	PTFE
6	STEM	LEAD FREE DR BRASS
7	NUT	STAINLESS STEEL
8	HANDLE	STAINLESS STEEL
9	O-RING	HNBR
10	O-RING	HNBR



Elson Australasia Pty Ltd

Tel: 02 9625 7899 Fax: 02 9625 7855

Website: www.elson.net.au E-mail: sales@elson.net.au

Version 1.0

Nov. 2020