

elson BUSHPEX CRIMP GAS BALL VALVE LF DR BRASS L/HNDL**PRODUCT CODE 73580 73582 73584 73586 73588 73590****Specifications**

- Maximum Working Temperature: -20-100°C
- GAS Maximum Allowable Operating Pressure (MAOP) :500kPa
- Size Range: 15mm-50mm

Features

- LEAD FREE DR BRASS
- AGA License Number: 8350 in compliance with AS 4617
- Suitable for Potable Water complies with AS/NZS 4020
- Dezincification Resistance Brass complies with AS 2345
- Pressure Tested
- Full Bore Ball Valve

Installation Instructions

1. elson PRESS to suit only Type A / B copper tube complying with AS1432
2. Installation may be either vertical or horizontal with the direction of the flow matching the position of the lever handle in the open / on position.
3. The installation must comply within the safe working pressure and temperature requirements. See maximum allowable operating pressure (MAOP) listed above.
4. Once installed the valve must be either in the full "ON" or full "OFF" position.
5. Always check for leaks when installed under pressure in both the full "ON" and full "OFF" position.

**Elson Australasia Pty Ltd**

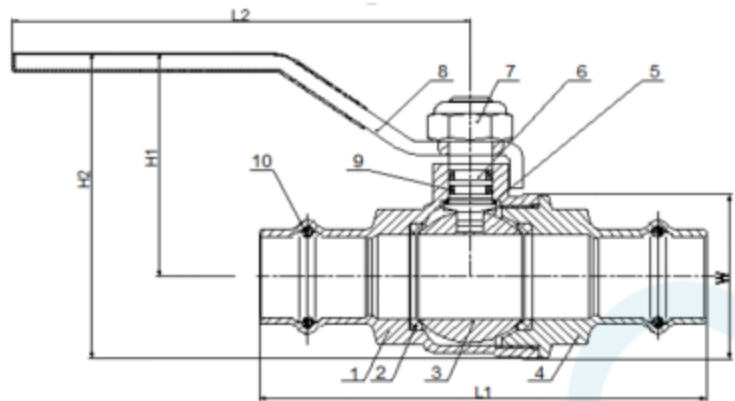
Tel: 02 9625 7899 Fax: 02 9625 7855

Website:www.elson.net.au E-mail:sales@elson.net.au

Version 1.0

Nov. 2020

Product Schematic



DIMENSIONS - mm

CODE	SIZE	L1	L2	W	H1	H2
73580	DN15	82.1	90	∅31.5	46.5	62
73582	DN20	101	100	∅39	53.5	70
73584	DN25	112.3	100	∅47.4	57.5	81
73586	DN32	128.5	135	∅58.2	65.6	94.7
73588	DN40	151	135	∅71.2	72	107
73590	DN50	174	165	∅86.5	90	133

MATERIALS		
No.	PART NAME	MATERIALS
1	VALVE BODY	LEAD FREE DR BRASS
2	SEAL	PTFE
3	BALL	STAINLESS STEEL
4	END ADAPTER	LEAD FREE DR BRASS/ 316L [⊕]
5	WASHER	PTFE
6	STEM	LEAD FREE DR BRASS
7	NUT	STAINLESS STEEL
8	HANDLE	STAINLESS STEEL
9	O-RING	HNBR
10	O-RING	HNBR

⊕ SIZE: DN15-20 BALL ARE LEAD FREE DR BRASS
 SIZE: DN25-50 BALL ARE 316L



Elson Australasia Pty Ltd

Tel: 02 9625 7899 Fax: 02 9625 7855

Website: www.elson.net.au E-mail: sales@elson.net.au

Version 1.0

Nov. 2020