

**elson PRESS WATER BALL VALVE LF DR BRASS L/HNDL****PRODUCT CODE 73660 73662****Specification**

- Maximum Working Temperature: -20-100°C
- WATER Maximum Allowable Operating Pressure (MAOP) : 1600Kpa
- Size Range: DN15 73660; DN20 73662

**Features**

- LEAD FREE DR BRASS
- Watermark License Number: WMKA 21922 in compliance with AS5830.1
- Suitable for Potable Water complies with AS/NZS 4020
- Dezincification Resistance Brass complies with AS 2345
- Full Bore Ball Valve
- Pressure Tested

**Installation Instructions**

1. elson PRESS to suit only Type A / B copper tube complying with AS1432
2. Installation may be either vertical or horizontal with the direction of the flow matching the position of the lever handle in the open / on position.
3. The installation must comply within the safe working pressure and temperature requirements. See maximum allowable operating pressure (MAOP) listed above.
4. Once installed the valve must be either in the full "ON" or full "OFF" position.
5. Always check for leaks when installed under pressure in both the full "ON" and full "OFF" position.

**Elson Australasia Pty Ltd**

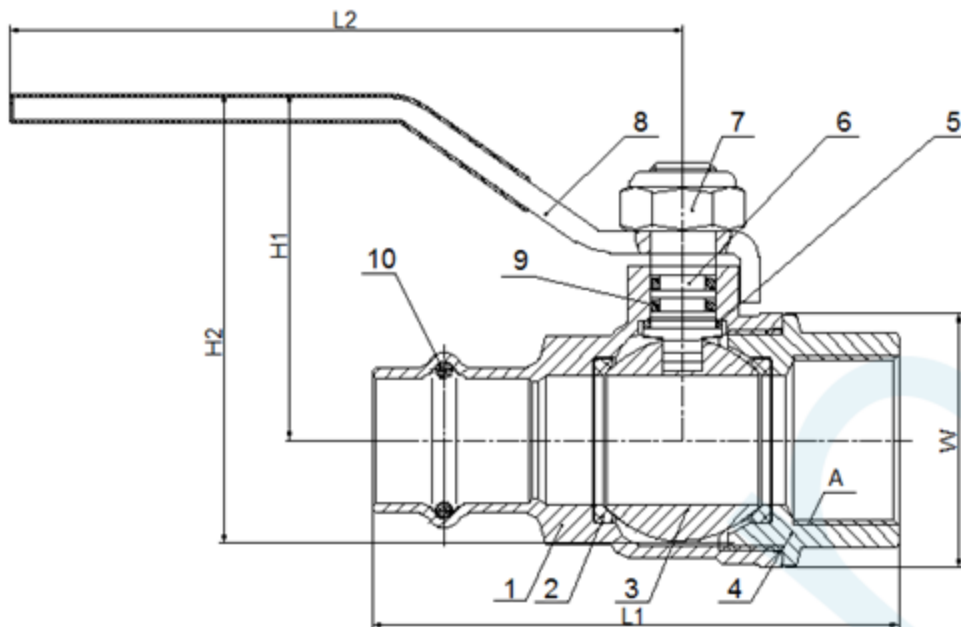
Tel: 02 9625 7899 Fax: 02 9625 7855

Website: www.elson.net.au E-mail: sales@elson.net.au

Version 1.0

Nov. 2020

**Product Schematic:**



**DIMENSIONS - mm**

CODE	SIZE	A	L1	L2	W	H1	H2
73660	DN15	Rp1/2	82.1	90	ø31.5	46.5	62
73662	DN20	Rp3/4	101	100	ø39	53.5	70

MATERIALS		
No.	PART NAME	MATERIALS
1	VALVE BODY	LEAD FREE DR BRASS
2	SEAL	PTFE
3	BALL	LEAD FREE DR BRASS
4	END ADAPTER	LEAD FREE DR BRASS
5	WASHER	PTFE
6	STEM	LEAD FREE DR BRASS
7	NUT	STAINLESS STEEL
8	HANDLE	STAINLESS STEEL
9	O-RING	EPDM
10	O-RING	EPDM



Elson Australasia Pty Ltd

Tel: 02 9625 7899 Fax: 02 9625 7855

Website: www.elson.net.au E-mail: sales@elson.net.au

Version 1.0

Nov. 2020