

elson PRESS WATER BALL VALVE LF DR BRASS L/HNDL

PRODUCT CODE 73680 73682 73684 73686 73688 73690



Specification

- Maximum Working Temperature: -20-100°C
- WATER Maximum Allowable Operating Pressure (MAOP) : 1600Kpa
- Size Range: 15mm-50mm

Features

- LEAD FREE DR BRASS
- Watermark License Number: WMKA 21922 in compliance with AS5830.1
- Suitable for Potable Water complies with AS/NZS 4020
- Dezincification Resistance Brass complies with AS 2345
- Full Bore Ball Valve
- Pressure Tested

Installation Instructions

1. elson PRESS to suit only Type A / B copper tube complying with AS1432
2. Installation may be either vertical or horizontal with the direction of the flow matching the position of the lever handle in the open / on position.
3. The installation must comply within the safe working pressure and temperature requirements. See maximum allowable operating pressure (MAOP) listed above.
4. Once installed the valve must be either in the full "ON" or full "OFF" position.
5. Always check for leaks when installed under pressure in both the full "ON" and full "OFF" position.



Elson Australasia Pty Ltd

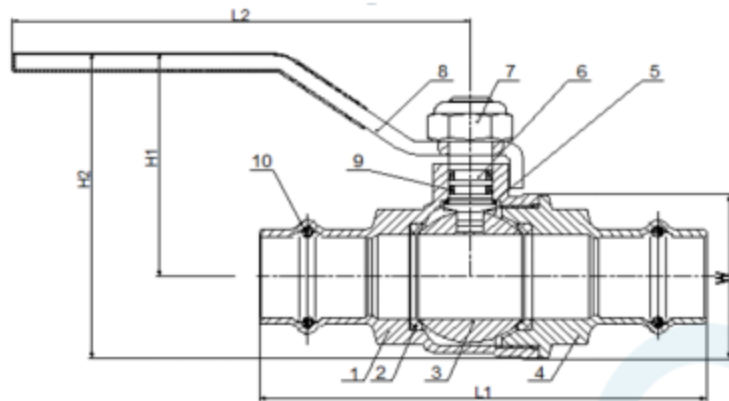
Tel: 02 9625 7899 Fax: 02 9625 7855

Website:www.elson.net.au E-mail:sales@elson.net.au

Version 1.0

Nov. 2020

Product Schematic



DIMENSIONS - mm

CODE	SIZE	L1	L2	W	H1	H2
73680	DN15	82.1	90	ø31.5	46.5	62
73682	DN20	101	100	ø39	53.5	70
73684	DN25	112.3	100	ø47.4	57.5	81
73686	DN32	128.5	135	ø58.2	65.6	94.7
73688	DN40	151	135	ø71.2	72	107
73690	DN50	174	165	ø86.5	90	133

MATERIALS		
No.	PART NAME	MATERIALS
1	VALVE BODY	LEAD FREE DR BRASS
2	SEAL	PTFE
3	BALL	*LEAD FREE DR BRASS/316L
4	END ADAPTER	LEAD FREE DR BRASS
5	WASHER	PE
6	SPINDLE	LEAD FREE DR BRASS
7	NUT	STAINLESS STEEL
8	HANDLE	STAINLESS STEEL
9	O-RING	EPDM
10	O-RING	EPDM

* SIZE: DN15-20 BALLS ARE LEAD FREE BRASS
 SIZE: DN25-50 BALLS ARE 316L



Elson Australasia Pty Ltd

Tel: 02 9625 7899 Fax: 02 9625 7855

Website: www.elson.net.au E-mail: sales@elson.net.au

Version 1.0

Nov. 2020