

elson BUSHPEX CRIMP-ON PEX BALL VALVE LF DR BRASS L/H

PRODUCT CODE 73980 73982 73984



**Specification**

- Maximum Working Temperature: -20-80°C
- GAS Maximum Allowable Operating Pressure (MAOP) :2000Kpa
- Size Range: DN16 73980, DN20 73982; DN25 73984

**Features**

- LEAD FREE DR BRASS
- Watermark Certificate Number: WMKA 21922 in compliance with AS 5830.1
- Suitable for Potable Water complies with AS/NZS 4020
- Dezincification Resistance Brass complies with AS 2345
- Pressure Tested

**Installation Instructions**

1. Installation may be either vertical or horizontal with the direction of the flow matching the position of the lever handle in the open / on position.
2. The installation must comply within the safe working pressure and temperature requirements. See maximum allowable operating pressure (MAOP) listed above.
3. Once installed the valve must be either in the full "ON" or full "OFF" position.
4. Always check for leaks when installed under pressure in both the full "ON" and full "OFF" position.



Elson Australasia Pty Ltd

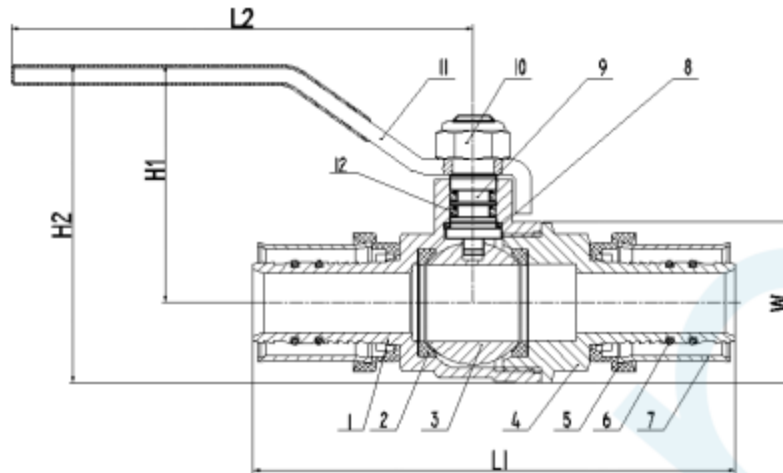
Tel: 02 9625 7899 Fax: 02 9625 7855

Website:www.elson.net.au E-mail:sales@elson.net.au

Version 1.0

Nov. 2020

**Product Schematic**



**DIMENSIONS - mm**

CODE	SIZE	L1	L2	W	H1	H2
73980	DN16	94	90	∅31.3	46.5	62.2
73982	DN20	94	90	∅31.3	46.5	62.2
73984	DN25	94	90	∅31.3	46.5	62.2

MATERIALS		
No.	PART NAME	MATERIALS
1	VALVE BODY	LEAD FREE DR BRASS
2	SEAL	PTFE
3	BALL	LEAD FREE DR BRASS
4	END ADAPTER	LEAD FREE DR BRASS
5	WASHER	PE
6	O-RING	EPDM
7	SLEEVE	STAINLESS STEEL
8	WASHER	PTFE
9	SPINDLE	LEAD FREE DR BRASS
10	NUT	STAINLESS STEEL
11	HANDLE	STAINLESS STEEL
12	O-RING	EPDM



**Elson Australasia Pty Ltd**

Tel: 02 9625 7899 Fax: 02 9625 7855

Website: www.elson.net.au E-mail: sales@elson.net.au

Version 1.0

Nov. 2020