

elson PRESS TO BUSHPEX CRIMP-ON PEX BALL VALVE LF DR BRASS L/H
PRODUCT CODE 73990 73992 73994



Specification

- Maximum Working Temperature: -20-800°C
- WATER Maximum Allowable Operating Pressure (MAOP) :1600Kpa
- Size Range: DN16 73990, DN20 73992; DN25 73994

Features

- LEAD FREE DR BRASS
- Watermark Certificate Number: WMKA 21922 in compliance with AS 5830.1
- Suitable for Potable Water complies with AS/NZS 4020
- Dezincification Resistance Brass complies with AS 2345
- Pressure Tested

Installation Instructions

1. Installation may be either vertical or horizontal with the direction of the flow matching the position of the lever handle in the open / on position.
2. The installation must comply within the safe working pressure and temperature requirements. See maximum allowable operating pressure (MAOP) listed above.
3. Once installed the valve must be either in the full "ON" or full "OFF" position.
4. Always check for leaks when installed under pressure in both the full "ON" and full "OFF" position.



Elson Australasia Pty Ltd

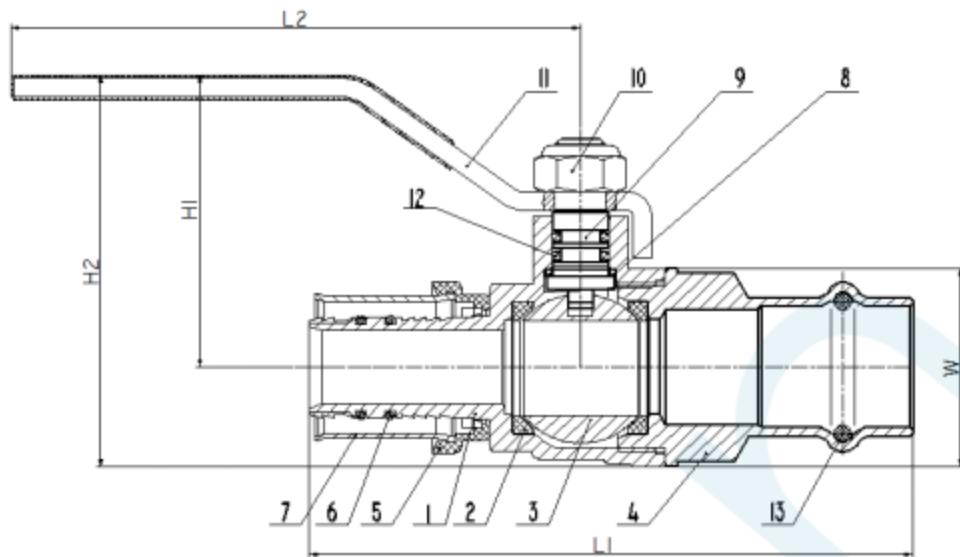
Tel: 02 9625 7899 Fax: 02 9625 7855

Website:www.elson.net.au E-mail:sales@elson.net.au

Version 1.0

Nov. 2020

Product Schematic



DIMENSIONS - mm

| CODE | SIZE | L1 | L2 | W | H1 | H2 |
|-------|------|----|----|-------|------|------|
| 72990 | DN16 | 89 | 90 | ø31.3 | 46.5 | 62.2 |
| 72992 | DN20 | 95 | 90 | ø31.3 | 46.5 | 62.2 |
| 72994 | DN25 | 95 | 90 | ø31.3 | 46.5 | 62.2 |

| MATERIALS | | |
|-----------|-------------|--------------------|
| No. | PART NAME | MATERIALS |
| 1 | VALVE BODY | LEAD FREE DR BRASS |
| 2 | SEAL | PTFE |
| 3 | BALL | LEAD FREE DR BRASS |
| 4 | END ADAPTER | LEAD FREE DR BRASS |
| 5 | WASHER | PE |
| 6 | O-RING | EPDM |
| 7 | SLEEVE | STAINLESS STEEL |
| 8 | WASHER | PTFE |
| 9 | SPINDLE | LEAD FREE DR BRASS |
| 10 | NUT | STAINLESS STEEL |
| 11 | HANDLE | STAINLESS STEEL |
| 12 | O-RING | EPDM |
| 13 | O-RING | EPDM |



Elson Australasia Pty Ltd

Tel: 02 9625 7899 Fax: 02 9625 7855

Website: www.elson.net.au E-mail: sales@elson.net.au

Version 1.0

Nov. 2020