

**elson METER BALL VALVE 740 SERIES RECYCLED LF DR BRASS
R3/4 X Rp3/4 FIMI LOCKABLE LILAC HNDL 74065**



Product Code 74065

Technical Specifications

- Maximum Working Temperature: -20-100 °C
- WATER Maximum Allowable Operating Pressure (MAOP) : 2500Kpa
- Threads complies with AS ISO 7.1, AS ISO 7.2 and AS 1722.2
- Size range: DN20

Features & Benefits

- LEAD FREE DR BRASS
- Pressure tested for the whole assembly
- Full bore ball valve
- Lilac lockable handle can be locked opened or closed.
- Lilac handle for use with recycled water applications
- Standardsmark Certificate Number: SMKP26244 in compliance with 4796
- Watermark Certificate Number: WMKA21922 in compliance with AS5830.1
- Suitable for Potable Water – complies with AS/NZS 4020
- Dezincification Resistant (DR) Brass complies with AS 2345
- WSAA Appraised ball valves



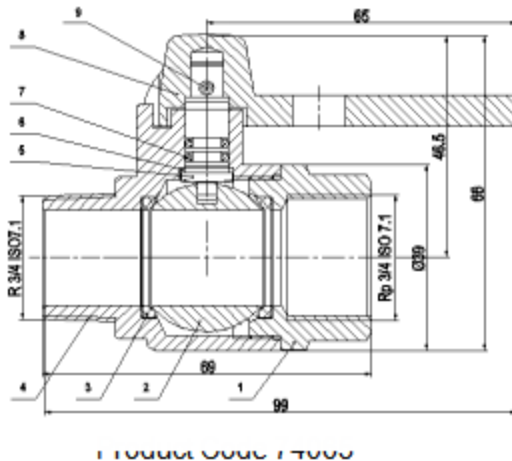
Elson Australasia Pty Ltd

Tel: 02 9625 7899 Fax: 02 9625 7855

Website: www.elson.net.au E-mail: sales@elson.net.au

Version 1.0

Nov. 2020

Product Schematic


MATERIALS		
No.	PART NAME	MATERIALS
1	NUT	LEAD-FREE DR BRASS
2	BALL	STAINLESS STEEL 316L
3	SEAL	PTFE
4	VALVE BODY	LEAD-FREE DR BRASS
5	SPINDLE	LEAD-FREE DR BRASS
6	WASHER	PTFE
7	O-RING	EPDM
8	HANDLE	LEAD-FREE DR BRASS
9	PIN	H62 BRASS

Installation Instructions

1. Installation may be either vertical or horizontal with the direction of the water flow matching the position of the lever handle in the open / on position.
2. The installation must comply within the safe working pressure and temperature requirements. See maximum allowable operating pressure (MAOP) listed above.
3. Once installed the valve must be either in the full "ON" or full "OFF" position.
4. Always check for leaks when installed under pressure in both the full "ON" and full "OFF" position.


Elson Australasia Pty Ltd

Tel: 02 9625 7899 Fax: 02 9625 7855

Website: www.elson.net.au E-mail: sales@elson.net.au

Version 1.0

Nov. 2020