

elson METER BALL VALVE R/A LF DR BRASS Rp3/4 X Rp3/4 FI LOCKABLE 74105



Product Code 74105

**Technical Specifications**

- Maximum Working Temperature: -20-100 °C
- WATER Maximum Allowable Operating Pressure (MAOP) : 2500Kpa
- Threads complies with AS ISO 7.1,AS ISO 7.2 and AS 1722.2
- Arrow indicating flow direction
- Size range: DN20

**Features & Benefits**

- LEAD FREE DR BRASS
- Pressure tested for the whole assembly
- Full bore ball valve
- Lockable handle can be locked opened or closed.
- Standardsmark Certificate Number: SMKP26244 in compliance with 4796
- Watermark Certificate Number: WMKA 21922 in compliance with AS5830.1
- Suitable for Potable Water – complies with AS/NZS 4020
- Dezincification Resistant (DR) Brass complies with AS 2345
- WSAA Appraised ball valves



Elson Australasia Pty Ltd

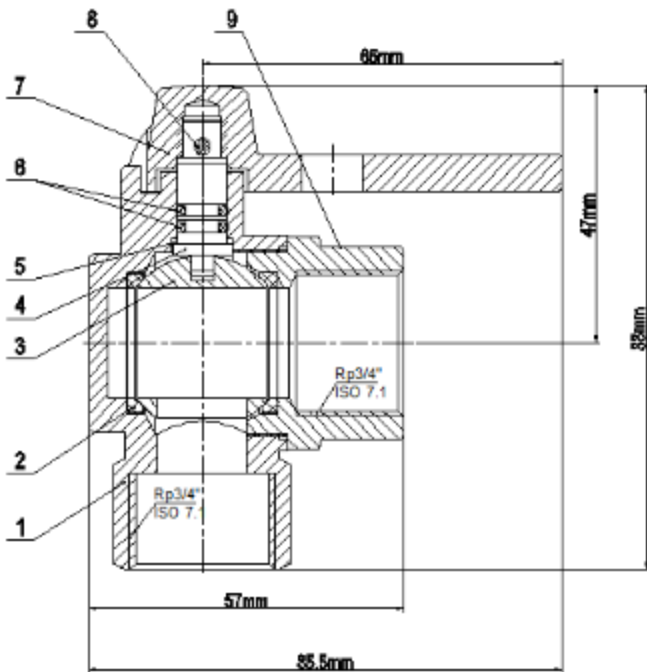
Tel: 02 9625 7899 Fax: 02 9625 7855

Website:www.elson.net.au E-mail:sales@elson.net.au

Version 1.0

Nov. 2020

**Product Schematic**



MATERIALS		
No.	PART NAME	MATERIALS
1	VALVE BODY	LEAD-FREE DR BRASS
2	SEAL	PTFE
3	BALL	STAINLESS STEEL 316L
4	SPINDLE	LEAD-FREE DR BRASS
5	WASHER	PTFE
6	O-RING	EPDM
7	HANDLE	LEAD-FREE DR BRASS
8	PIN	H62 BRASS
9	END ADAPTER	LEAD-FREE DR BRASS

Product Code 74105

**Installation Instructions**

1. Installation may be either vertical or horizontal with the direction of the water flow matching the position of the lever handle in the open / on position.
2. The installation must comply within the safe working pressure and temperature requirements. See maximum allowable operating pressure (MAOP) listed above.
3. Once installed the valve must be either in the full "ON" or full "OFF" position.
4. Always check for leaks when installed under pressure in both the full "ON" and full "OFF" position.



Elson Australasia Pty Ltd

Tel: 02 9625 7899 Fax: 02 9625 7855

Website: www.elson.net.au E-mail: sales@elson.net.au

Version 1.0

Nov. 2020