

elson METER BALL VALVE R/A LF DR BRASS Rp3/4 X 20Cn LOCKABLE 74115



Product Code 74115

Technical Specifications

- Maximum Working Temperature: -20-100 °C
- WATER Maximum Allowable Operating Pressure (MAOP) : 2500Kpa
- Threads complies with AS ISO 7.1, AS ISO 7.2 and AS 1722.2
- Arrow indicating flow direction
- Size range: DN20

Features & Benefits

- LEAD FREE DR BRASS
- Pressure tested for the whole assembly
- Full bore ball valve
- Lockable handle can be locked opened or closed.
- Standardsmark Certificate Number: SMKP26244 in compliance with 4796
- Watermark Certificate Number: WMKA21922 in compliance with AS5830.1
- Suitable for Potable Water – complies with AS/NZS 4020
- Dezincification Resistant (DR) Brass complies with AS 2345
- WSAA Appraised ball valves



Elson Australasia Pty Ltd

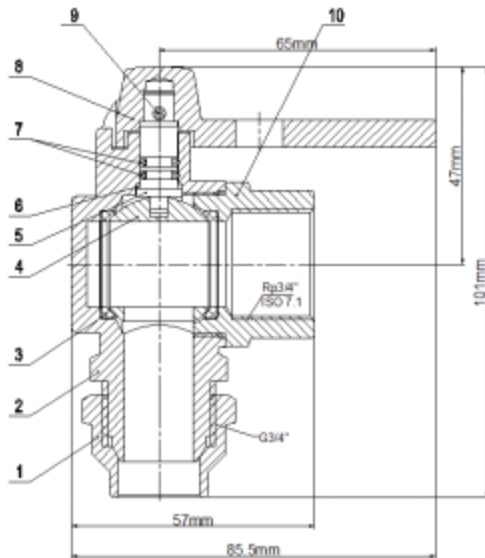
Tel: 02 9625 7899 Fax: 02 9625 7855

Website: www.elson.net.au E-mail: sales@elson.net.au

Version 1.0

Nov. 2020

Product Schematic



MATERIALS		
No.	PART NAME	MATERIALS
1	NUT	LEAD-FREE DR BRASS
2	VALVE BODY	LEAD-FREE DR BRASS
3	SEAL	PTFE
4	BALL	STAINLESS STEEL 316L
5	SPINDLE	LEAD-FREE DR BRASS
6	WASHER	PTFE
7	O-RING	EPDM
8	HANDLE	LEAD-FREE DR BRASS
9	PIN	H62 BRASS
10	END ADAPTER	LEAD-FREE DR BRASS

Product Code 74115

Installation Instructions

1. Installation may be either vertical or horizontal with the direction of the water flow matching the position of the lever handle in the open / on position.
2. The installation must comply within the safe working pressure and temperature requirements. See maximum allowable operating pressure (MAOP) listed above.
3. Once installed the valve must be either in the full "ON" or full "OFF" position.
4. Always check for leaks when installed under pressure in both the full "ON" and full "OFF" position.



Elson Australasia Pty Ltd

Tel: 02 9625 7899 Fax: 02 9625 7855

Website: www.elson.net.au E-mail: sales@elson.net.au

Version 1.0

Nov. 2020