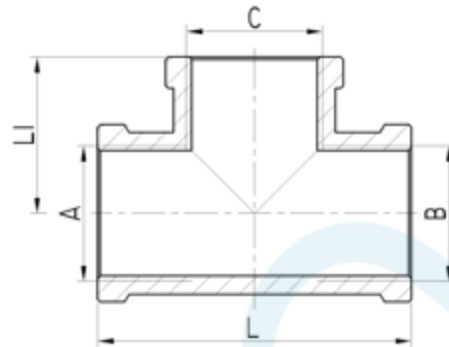


TEE

Brand Name: **elson**



CODE	DESCRIPTION	L(mm)	L1(mm)	A	B	C
81735	TEE 4mm (1/8") BRASS	31	16	G1/8	G1/8	G1/8
81738	TEE 6mm (1/4") BRASS	40	23	G1/4	G1/4	G1/4
81740	TEE 10mm BRASS	43	22	G3/8	G3/8	G3/8
81742	TEE 15mm BRASS	48	24	G1/2	G1/2	G1/2
81744	TEE 15mm CHROME	48	24	G1/2	G1/2	G1/2
81746	TEE 20mm BRASS	58	29	G3/4	G3/4	G3/4
81748	TEE 20mm CHROME	58	29	G3/4	G3/4	G3/4
81752	TEE 25mm BRASS	74	39	G1	G1	G1
81754	TEE 32mm BRASS	90	47	G1 1/4	G1 1/4	G1 1/4
81756	TEE 40mm BRASS	100	51	G1 1/2	G1 1/2	G1 1/2
81758	TEE 50mm BRASS	114	57	G2	G2	G2

Product Specification & Features

- Maximum Working Temperature: 95°C
- Maximum Working Pressure at 20°C : Water-2000Kpa, Gas-500KPa
- Threads: Complies with AS ISO 7.1, AS ISO 7.2 and AS 1722.2
- Material: DR Brass, Complies with AS 2345
- Suitable for Potable Water – complies with AS/NZS 4020

Standards & Approvals



Elson Australasia Pty Ltd

Tel: 02 9625 7899 Fax: 02 9625 7855

Website: www.elson.net.au E-mail: sales@elson.net.au

Version 1.0

Nov. 2020