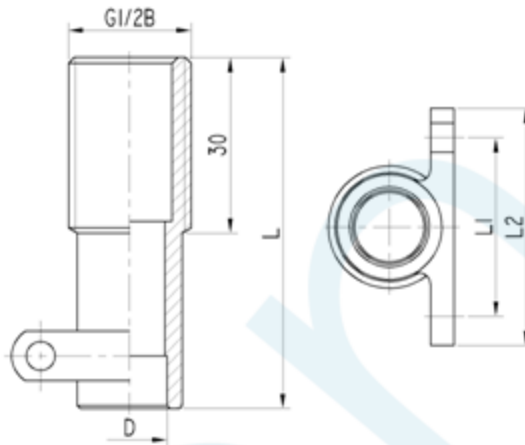


**CONNECTOR WINGED NO.5 STRAIGHT**

Brand Name: **elson**



CODE	DESCRIPTION	L(mm)	L1(mm)	L2(mm)	D
82688	CON WINGED #5 15mmODx15mmMI W/HOLE	60	30.5	40.5	DN15
82689	CON WINGED #5 15mmODx15mmMI NO HOLE	60		40.5	DN15

**Product Specification & Features**

- Maximum Working Temperature: 95°C
- Maximum Working Pressure at 20°C : Water-2000Kpa, Gas-500KPa
- Threads: Complies with AS 1722.2
- Material: DR Brass, Complies with AS 2345
- Suitable for Potable Water – complies with AS/NZS 4020



**Elson Australasia Pty Ltd**

Tel: 02 9625 7899 Fax: 02 9625 7855

Website: www.elson.net.au E-mail: sales@elson.net.au

Version 1.0

Nov. 2020