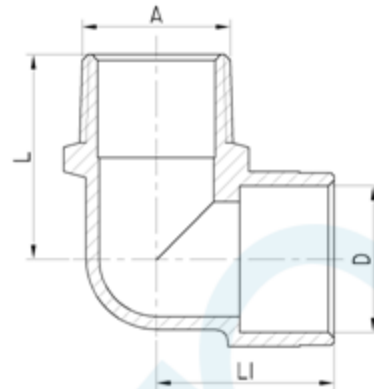


ELBOW CxM NO.13

Brand Name: **elson**



CODE	DESCRIPTION	L(mm)	L1(mm)	A	D
83010	ELBOW CxM NO.13 15mm OD x 15mm MI	32.1	20.5	R1/2	DN15
83012	ELBOW CxM NO.13 20mm OD x 15mm MI	36.6	35	R1/2	DN20
83014	ELBOW CxM NO.13 20mm OD x 20mm MI	31.4	25	R3/4	DN20
83015	ELBOW CxM NO.13 25mm OD x 20mm MI	35.7	31	R3/4	DN25
83019	ELBOW CxM NO.13 25mm OD x 25mm MI	40.5	31.5	R1/2	DN25
83021	ELBOW CxM NO.13 32mm OD x 32mm MI	47.3	42.5	R1 1/4	DN32
83023	ELBOW CxM NO.13 40mm OD x 40mm MI	53.3	39	R1 1/2	DN40
83025	ELBOW CxM NO.13 50mm OD x 50mm MI	71.1	53.5	R2	DN50

Product Specification & Features

- Maximum Working Temperature: 95°C
- Maximum Working Pressure at 20°C : Water-2000Kpa, Gas-500KPa
- Threads: Complies with AS ISO 7.1, AS ISO 7.2 and AS 1722.2
- Material: DR Brass, Complies with AS 2345
- Suitable for Potable Water – complies with AS/NZS 4020



Elson Australasia Pty Ltd

Tel: 02 9625 7899 Fax: 02 9625 7855

Website: www.elson.net.au E-mail: sales@elson.net.au

Version 1.0

Nov. 2020