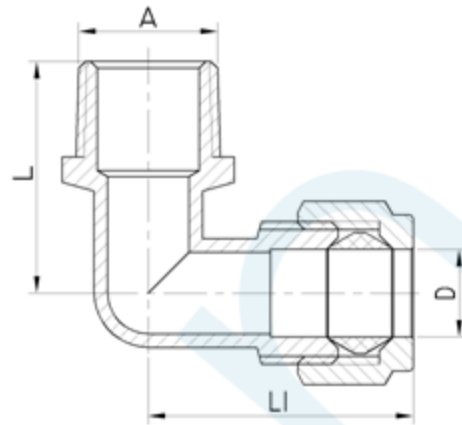


ELBOW CxM NYLON OLIVE

Brand Name: **elson**



CODE	DESCRIPTION	L(mm)	L1(mm)	A	D
84312	ELBOW CxM 15mmC x 15mm MI BRS N/O	34.1	38	R1/2	DN15
84313	ELBOW CxM 15mmC x 15mm MI CP N/O	34.1	38	R1/2	DN15
84314	ELBOW CxM 20mmC x 20mm MI BRS N/O	41.9	43	R3/4	DN20
84316	ELBOW CxM 15mmC x 20mm MI BRS N/O	36.9	41	R3/4	DN15
84318	ELBOW CxM 20mmC x 15mm MI BRS N/O	33.1	42	R1/2	DN20
84320	ELBOW CxM 25mmC x 25mm MI BRS N/O	49	57	R1	DN25

Product Specification & Features

- Maximum Working Temperature: 95°C
- Maximum Working Pressure at 20°C : 2000Kpa
- Threads: Complies with AS 1722.2
- Material: DR Brass, Complies with AS 2345
- Suitable for Potable Water – complies with AS/NZS 4020



Elson Australasia Pty Ltd

Tel: 02 9625 7899 Fax: 02 9625 7855

Website: www.elson.net.au E-mail: sales@elson.net.au

Version 1.0

Nov. 2020