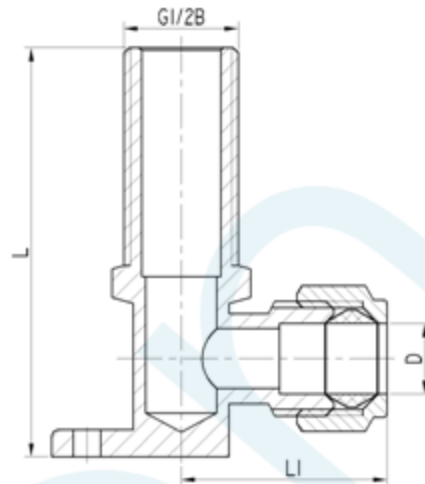


**ELBOW LUGGED 19BP NYLON OLIVE**

Brand Name: **elson**



CODE	DESCRIPTION	L(mm)	L1(mm)	D
84628	ELBOW LUG 19BP 15mmCx15mmMI BRS N/O	75	38	DN15
84629	ELBOW LUG 19BP 15mmCx15mmMI CP N/O	75	38	DN15

**Product Specification & Features**

- Maximum Working Temperature: 95°C
- Maximum Working Pressure at 20°C : 2000Kpa
- Threads: Complies with AS 1722.2
- Material: DR Brass, Complies with AS 2345
- Suitable for Potable Water – complies with AS/NZS 4020

Standards & Approvals



**Elson Australasia Pty Ltd**

Tel: 02 9625 7899 Fax: 02 9625 7855

Website: [www.elson.net.au](http://www.elson.net.au) E-mail: [sales@elson.net.au](mailto:sales@elson.net.au)

Version 1.0

Nov. 2020