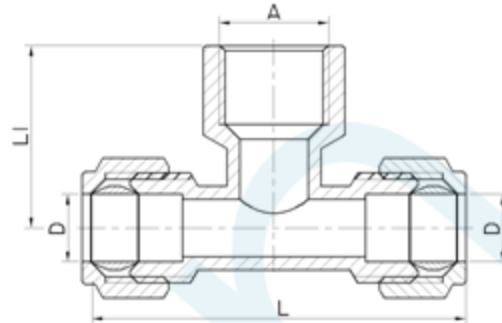


TEE C×C×F COPPER OLIVE

Brand Name: **elson**



CODE	DESCRIPTION	L(mm)	L1(mm)	A	D
87836	TEE Cx C x F 15mm C x 15mm C x 15mm FI BR C/O	73.3	35	G1/2	DN15
87838	TEE Cx C x F 20mm C x 20mm C x 20mm FI BR C/O	86	34.5	G1/2	DN20
87840	TEE Cx C x F 20mm C x 20mm C x 15mm FI BR C/O	88	34.5	G3/4	DN20

Product Specification & Features

- Maximum Working Temperature: 95°C
- Maximum Working Pressure at 20°C : 2000Kpa
- Threads: Complies with AS 1722.2
- Material: DR Brass, Complies with AS 2345
- Suitable for Potable Water – complies with AS/NZS 4020

Standards & Approvals



WaterMark
WMKA02497
Standard AS 3688
SAI GLOBAL

Elson Australasia Pty Ltd

Tel: 02 9625 7899 Fax: 02 9625 7855

Website: www.elson.net.au E-mail: sales@elson.net.au

Version 1.0

Nov. 2020