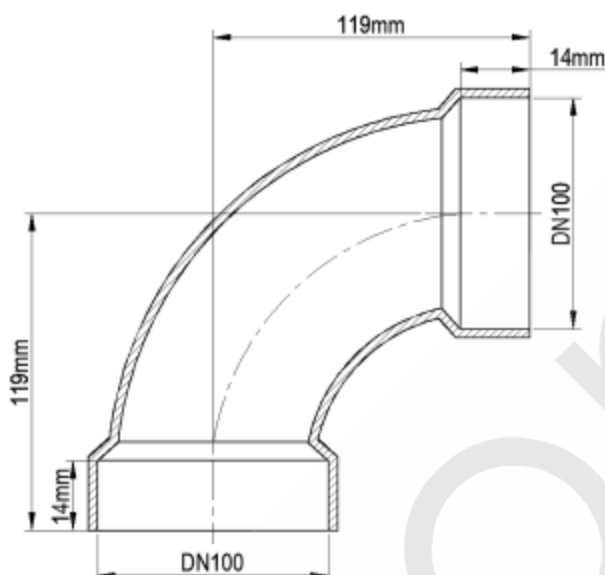


PRODUCT DATA SHEET

37094 elson DN100-DN100 90 DEG Elbow Capillary SE HP 1D

Product Code : 37094



Product Specification

- Watermark Licence Number: WMK 26127
- In compliance with AS 3688
- Material: Copper, Complies with AS 1432
- Suitable for Potable Water – complies with AS/NZS 4020
- Maximum Working Pressure at 95°C : 1400Kpa
- Maximum Working Pressure at 20°C : 2000Kpa
- Copper tube compliant with AS 1432
- Silver Solder for "Brazing" compliant with AS 1167.1



Elson Australasia Pty Ltd ABN 45 059 613 991

PO Box 3217, Mt.Druitt Village, NSW 2770

38 Eddie Road, Minchinbury, NSW 2770 | 92 Fox Drive, Dandenong South, VIC 3175

Call 1300 169 026 | Email sales@elson.au

