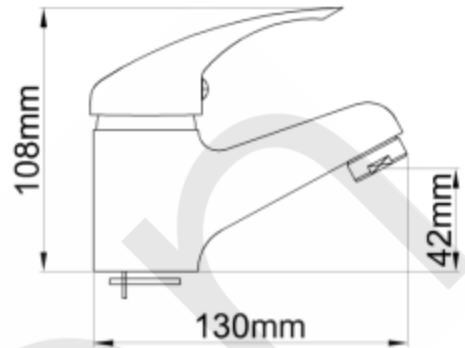


PRODUCT DATA SHEET

CONCO BASIN MIXER CHROME WELS 4 STAR



PRODUCT CODE: 50220

Features & Approval

- Maximum Working Temperature: 80 °C
- Maximum Working Pressure: 1300 KPa
- Threads: Complies with AS 1722.2
- Material: DR Brass, Complies with AS 2345
- Suitable for Potable Water, Complies with AS/NZS 4020
- WELS Reg. Number: TM33425, WELS Rating: 4 STAR 7.5 L/Min



Elson Australasia Pty Ltd ABN 45 059 613 991

PO Box 3217, Mt.Druitt Village, NSW 2770

38 Eddie Road, Minchinbury, NSW 2770 | 92 Fox Drive, Dandenong South, VIC 3175

Call 1300 169 026 | Email sales@elson.au



www.elson.au



www.bushpex.au



www.epspex.au