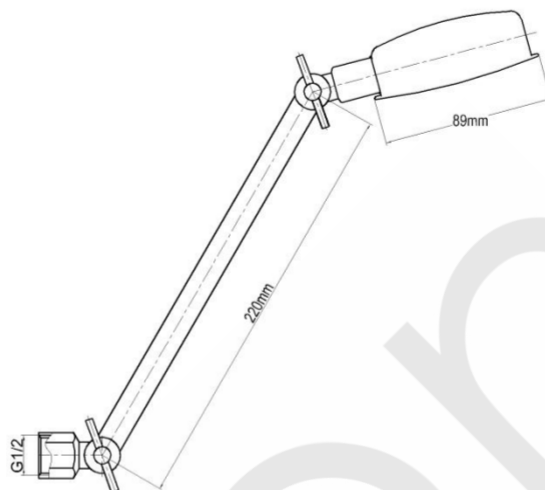


PRODUCT DATA SHEET

ALL DIR SHOWER WELS 3 STAR



CODE	DESCRIPTION	COLOUR	TRIM	WELS Reg. Number
60993	ALL DIRECTIONAL SHOWER CHROME & GOLD TRIM W/DISC WELS 3 STAR	CHROME	GOLD	S13513
60424	ALL DIR SHOWER CP WELS 3 STAR	CHROME	—	S13513

Features & Approval

- Maximum Working Temperature: 80°C
- Maximum Working Pressure: 800 KPa
- Threads: Complies with AS 1722.2
- Material: Brass
- Suitable for Potable Water, Complies with AS/NZS 4020
- WELS Rating: 3 STAR 9 L/Min
- The outlet direction can be adjusted



Elson Australasia Pty Ltd ABN 45 059 613 991
 PO Box 3217, Mt. Druitt Village, NSW 2770
 38 Eddie Road, Minchinbury, NSW 2770 | 92 Fox Drive, Dandenong South, VIC 3175
 Call 1300 169 026 | Email sales@elson.au

