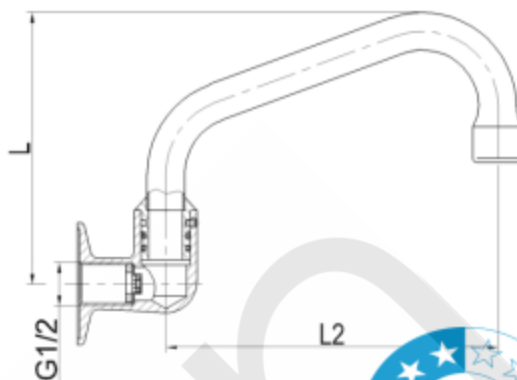


PRODUCT DATA SHEET

WALL SINK SPOUT SWIVEL TUBULAR (WELS RATED)



CODE	DESCRIPTION	L(mm)	WELS Reg. Number
60316	SWIVEL SPOUT WALL TUBE 225mm CP WELS 3 STAR	137	33560
60453	SWIVEL SPOUT WALL TUBE 180mm CP WELS 3 STAR	125	33559
60476	SWIVEL SPOUT WALL TUBE 100mm CP WELS 3 STAR	113	TM33701
60477	SWIVEL SPOUT WALL TUBE 150mm CP WELS 3 STAR	129	T33558

Features & Approval

- Maximum Working Temperature: 80 °C
- Maximum Working Pressure: 800 KPa
- Threads: Complies with AS 1722.2
- Material: Brass
- Suitable for Potable Water, Complies with AS/NZS 4020
- WELS Rating: 3 STAR 9 L/Min



Elson Australasia Pty Ltd ABN 45 059 613 991

PO Box 3217, Mt. Druitt Village, NSW 2770

38 Eddie Road, Minchinbury, NSW 2770 | 92 Fox Drive, Dandenong South, VIC 3175

Call 1300 169 026 | Email sales@elson.au



www.elson.au



www.bushpex.au



www.epspex.au