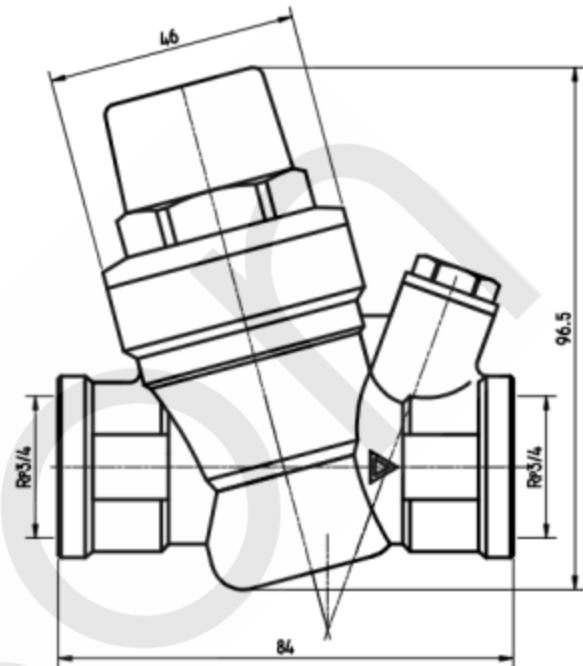


## PRODUCT DATA SHEET

### elson LF PRESSURE REDUCTION VALVE

Rp3/4 FI LF DR BRASS LF76014



PRODUCT CODE LF76014

### Technical Specifications

- Max. Inlet Pressure 1600kPa
- Max. Inlet Temperature(Continuous) 80°C
- Factory set pressure: 500kPa
- Outlet Pressure: 150 - 600kPa
- Flow Rates: 150kPa-18 L/Min; 600kPa-110 L/Min
- Material: DR Brass in compliance with AS 2345
- Threads comply with AS 1722.2.
- Suitable for potable water, Comply with AS/NZS 4020.
- WaterMark Certificate No. WMK26481, Conforms with AS1357.2 .



Elson Australasia Pty Ltd ABN 45 059 613 991

PO Box 3217, Mt.Druitt Village, NSW 2770

38 Eddie Road, Minchinbury, NSW 2770 | 92 Fox Drive, Dandenong South, VIC 3175

Call 1300 169 026 | Email [sales@elson.au](mailto:sales@elson.au)



[www.elson.au](http://www.elson.au)



[www.bushpex.au](http://www.bushpex.au)



[www.epspepex.au](http://www.epspepex.au)

## PRODUCT DATA SHEET

### Features & Benefits

- 99.9% LEAD FREE\* DR BRASS
- Excellent flow rates
- Adjustable Outlet Pressure 150-600kPa
- Valve and strainer can be serviced
- Manufactured in our ISO9001 certified factory

### Installation Instructions

Pipe work must be flushed prior to installation. The valve is user adjustable. Use flat head screwdriver to increase or decrease outlet pressure. The valve can be installed horizontally or vertically. Ensure the valve is located that allows for easy access. Install in the direction of flow, elson valve flow direction indicated on body. When installed underground, the valve must be installed in a box and must be protected from becoming frozen. Never expose directly to flame or extreme radiant heat as this will affect valve seals and function. Elson Valves must be fitted by a licensed plumber in accordance with AS3500.1.

### Warranty

2 years

### Application

Pressure Reduction Valves are fitted in water systems to moderate and stabilise mains water pressure. The valve maintains a constant maximum outlet pressure to protect downstream installations from variations in supply pressure description. The factory set pressure of the valve is the common pressure of 500kPa, and it can also be adjusted between 150-600kPa.

\* Elson Lead Free copper alloy products contain less than 0.1% Lead by weight.



Elson Australasia Pty Ltd ABN 45 059 613 991

PO Box 3217, Mt.Druitt Village, NSW 2770

38 Eddie Road, Minchinbury, NSW 2770 | 92 Fox Drive, Dandenong South, VIC 3175

Call 1300 169 026 | Email [sales@elson.au](mailto:sales@elson.au)



[www.elson.au](http://www.elson.au)



[www.bushpex.au](http://www.bushpex.au)



[www.epspex.au](http://www.epspex.au)