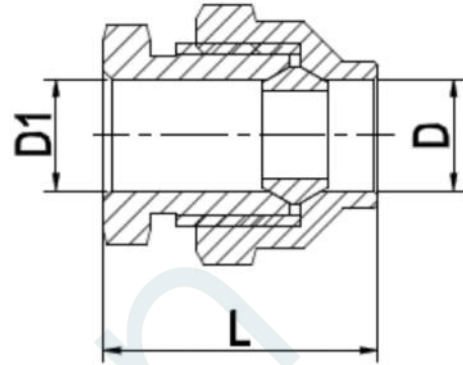


PRODUCT DATA SHEET

UNION C×C



CODE	DESCRIPTION	L(mm)	D	D1
LF85041	elson UNION FLARED LF DR BRASS CxC 15Cnx15Cn(15mmFLx15mmFL) CHROME	31.7	DN15	DN15
LF85042	elson UNION FLARED LF DR BRASS CxC 15Cnx15Cn(15mmFLx15mmFL)	31.7	DN15	DN15
LF85043	elson UNION FLARED LF DR BRASS CxC 20Cnx20Cn(20mmFLx20mmFL) CHROME	36	DN20	DN20
LF85044	elson UNION FLARED LF DR BRASS CxC 20Cnx20Cn(20mmFLx20mmFL)	36	DN20	DN20
LF85045	elson UNION FLARED LF DR BRASS CxC 15Cnx20Cn(15mmFLx20mmFL)	39.5	DN20	DN15
LF85046	elson UNION FLARED LF DR BRASS CxC 15Cnx20Cn(15mmFLx20mmFL) CHROME	39.5	DN20	DN15
LF85048	elson UNION FLARED LF DR BRASS CxC 25Cnx25Cn(25mmFLx25mmFL)	37.3	DN25	DN25
LF85052	elson UNION FLARED LF DR BRASS CxC 25Cnx20Cn(25mmFLx20mmFL)	39.5	DN25	DN20

Features & Approval

- 99.9% LEAD FREE* DR Brass
- Suitable for Water & Gas
- Maximum Working Temperature: 95°C
- Maximum Working Pressure at 20°C : Water-2000Kpa, Gas-500KPa
- Threads: Complies with AS ISO 7.1, AS ISO 7.2 and AS 1722.2
- Material: DR Brass, Complies with AS 2345
- Suitable for Potable Water – complies with AS/NZS 4020



Elson Australasia Pty Ltd ABN 45 059 613 991

PO Box 3217, Mt. Druitt Village, NSW 2770

38 Eddie Road, Minchinbury, NSW 2770 | 92 Fox Drive, Dandenong South, VIC 3175

Call 1300 169 026 | Email sales@elson.au



www.elson.au



www.bushpex.au



www.epspex.au